



**Smove**  
***SALICE***



Smove is a device used to soften the closing action of any furniture door with concealed hinges. The universal adapter, made of durable plastic, enables Smove to be used with all brands of hinges. This compatibility is ensured by the extra-wide bridge of the adapter.

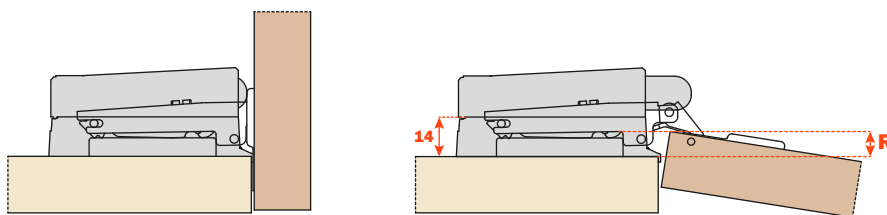
## D0E8SNG - Smoveholder

Smove can be used with doors of any dimension. Just one damper is sufficient for doors with up to 3 hinges; it is possible to use more dampers on the same door to increase the decelerating effect.



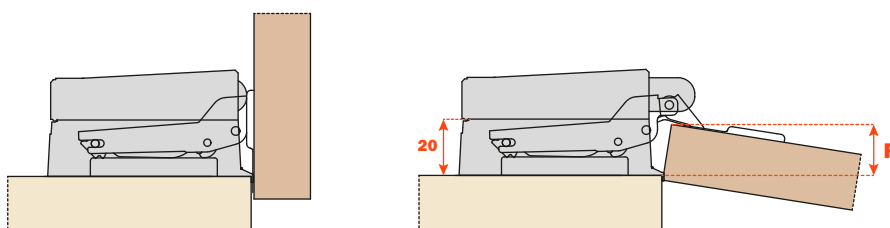
## D088XSG - 14 mm

Screw-fix adapter for doors with "R" recess between 0 and 12 mm (full overlay). Smove works properly when it bears against the flange of the hinge. For this reason the appropriate adapter must be selected.



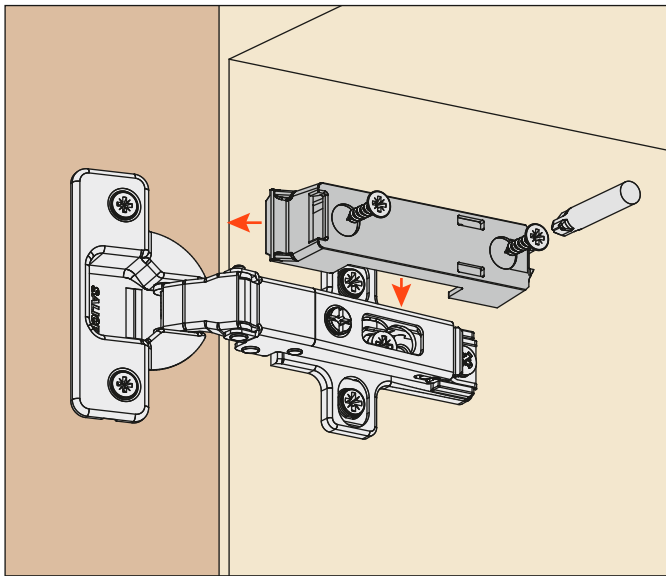
## D088XLG - 20 mm

Screw-fix adapter for doors with "R" recess between 10 and 16 mm (half overlay). Smove works properly when it bears against the flange of the hinge. For this reason the appropriate adapter must be selected.

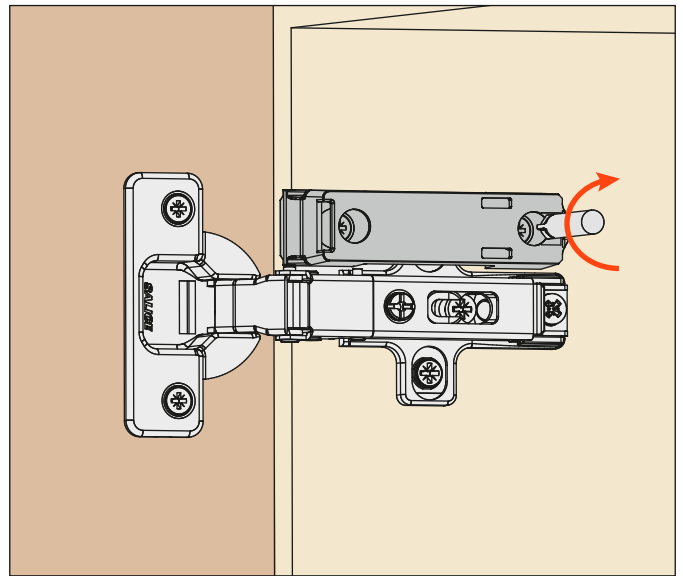


## Assembly instructions

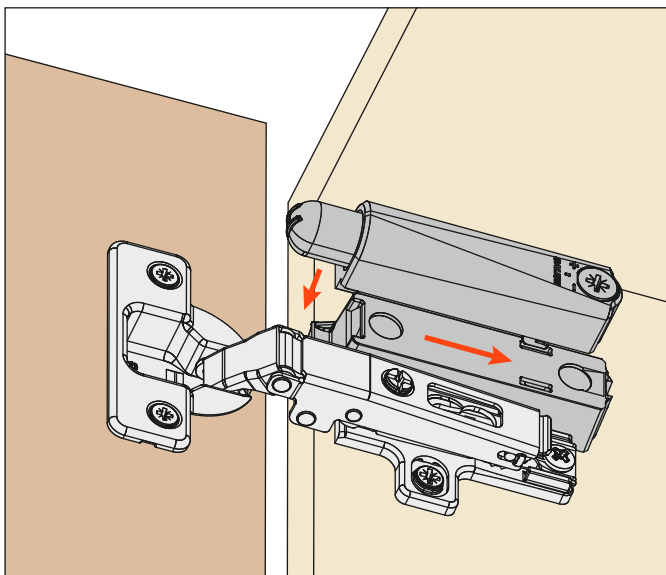
Place the adapter over one "wing" of the mounting plate. Use the front stop for the correct depth positioning.



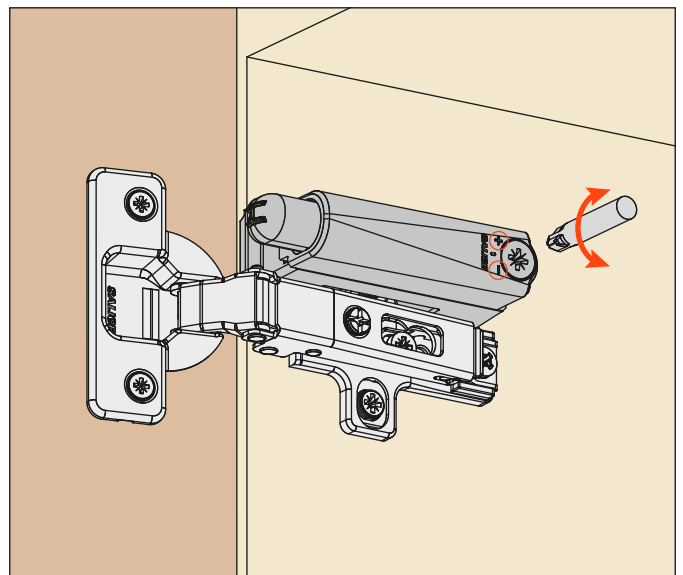
Fix the adapter in position using woodscrews.



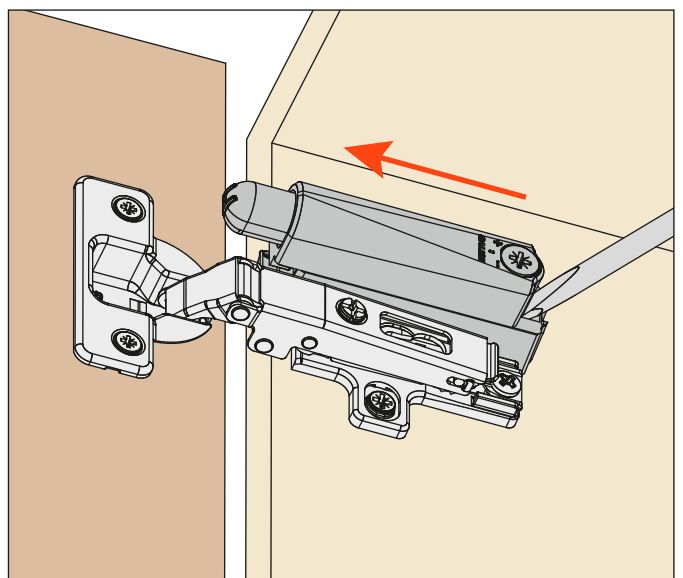
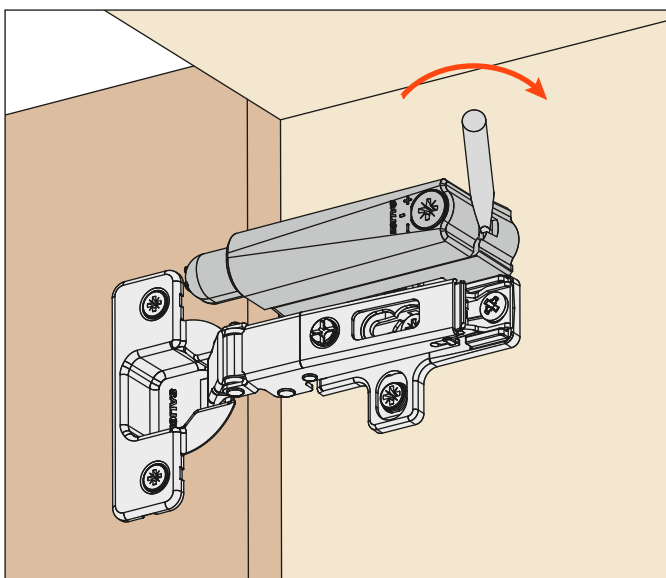
Insert the Smove piston assembly, sliding it in the direction indicated by the arrow.



It is possible to reduce or increase the decelerating effect by turning the screw indicated.



To remove the Smove piston assembly, insert a screwdriver in the indicated slot and prise it off.



## **ARTURO SALICE S.p.A.**

VIA PROVINCIALE NOVEDRATESE, 10  
22060 NOVEDRATE (COMO) ITALIA  
TEL. 031 790424  
FAX 031 791508  
info.salice@salice.com  
www.salice.com

### **DEUTSCHE SALICE GMBH**

RUDOLF DIESEL STR. 10  
POSTFACH 1154  
74382 NECKARWESTHEIM  
TEL. 07133 9807-0  
FAX. 07133 9807-16  
info.salice@deutschesalice.de  
www.deutschesalice.de

### **DEUTSCHE SALICE GMBH**

VERKAUFSBÜRO NORD  
RINGSTRASSE 36/A30 CENTER  
32584 LÖHNE  
TEL. 05731 15608-0  
FAX. 05731 15608-10  
vknord@deutschesalice.de  
www.deutschesalice.de

### **SALICE FRANCE S.A.R.L.**

ROUTE DE GOA ZAC LES 3 MOULINS  
06600 ANTIBES  
TEL. 0493 330069  
FAX. 0493 330141  
info.salice@salicefrance.com  
www.salicefrance.com

### **SALICE ESPAÑA, S.L.U.**

CALLE COPÉRNICO, 11  
POLÍGONO INDUSTRIAL  
COLL DE LA MANYA  
08403 GRANOLLERS (BARCELONA)  
TEL. 938 45 88 61  
FAX 938 49 11 97  
info.salice@saliceespana.es  
www.saliceespana.es

### **SALICE UK LTD.**

KINGFISHER WAY  
HINCHINGBROOKE BUSINESS PARK  
HUNTINGDON CAMBS PE 29 6FN  
TEL. 01480 413831  
FAX. 01480 451489  
info.salice@saliceuk.co.uk  
www.saliceuk.co.uk

### **SALICE AMERICA INC.**

2123 CROWN CENTRE DRIVE  
CHARLOTTE NC. 28227  
TEL. 704 8417810  
FAX. 704 8417808  
info.salice@saliceamerica.com  
www.saliceamerica.com

### **SALICE CANADA INC.**

4025 SLADEVIEW CRESCENT  
UNIT # 7-9  
MISSISSAUGA, ONTARIO L5L 5Y1  
TEL. 905 8208787  
FAX. 905 8207226  
info.salice@salicecanada.com  
www.salicecanada.com

### **SALICE CHINA**

#### **(SHANGHAI) CO. LTD.**

1st FLOOR, B1 BLDG 928 MINGZHU ROAD  
XUJING, QINGPU DISTRICT  
SHANGHAI 201702 - CHINA  
Tel. 021 3988 9880  
Fax 021 3988 9882  
info.salice@salicechina.com  
www.salicechina.com



#### **Digital contents:**

- **Technical pamphlet in Pdf format**
- **Video**

**We reserve the right to change technical specifications without notice.**